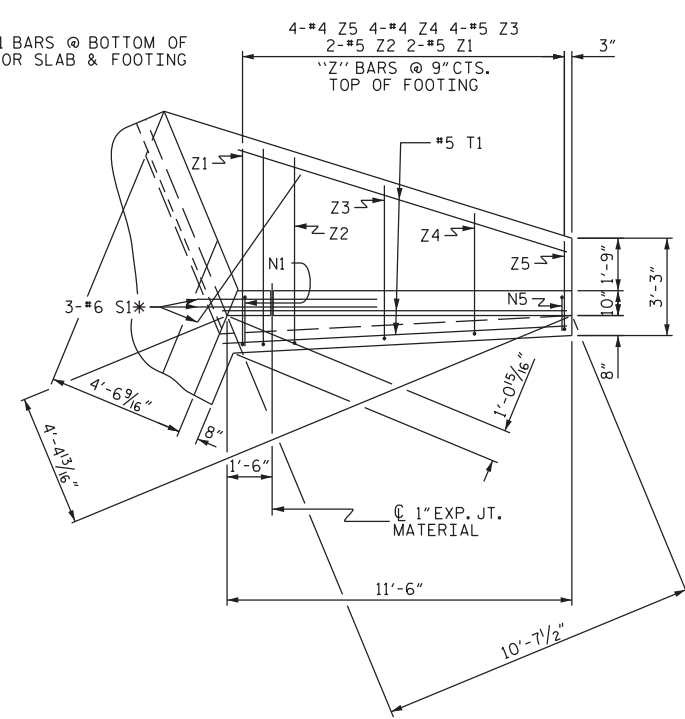
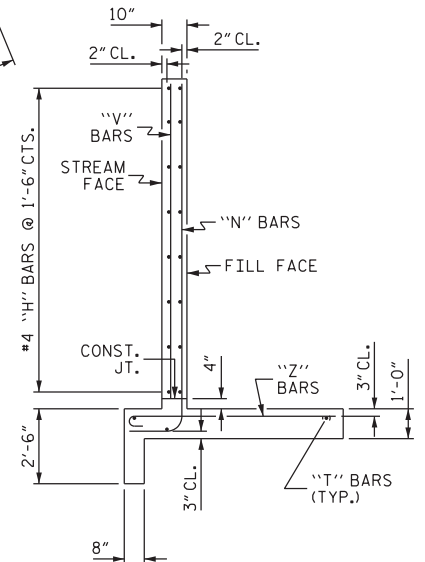


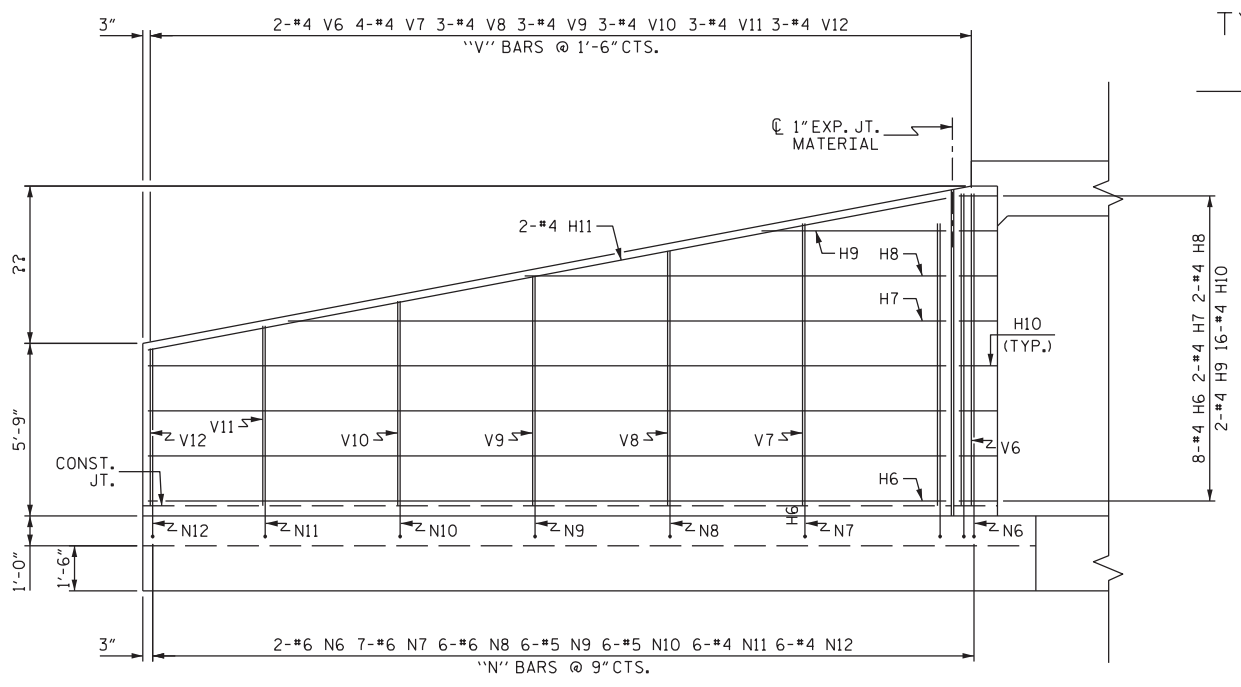
PLAN W1



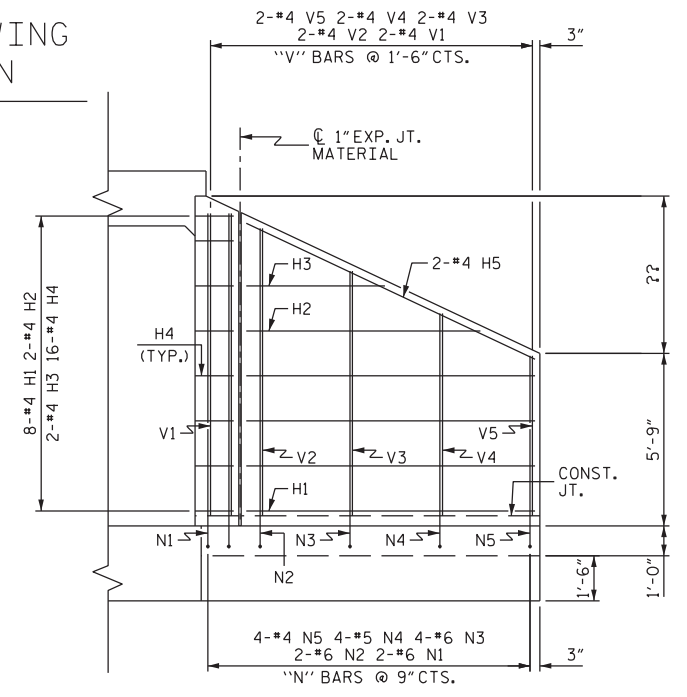
PLAN W2



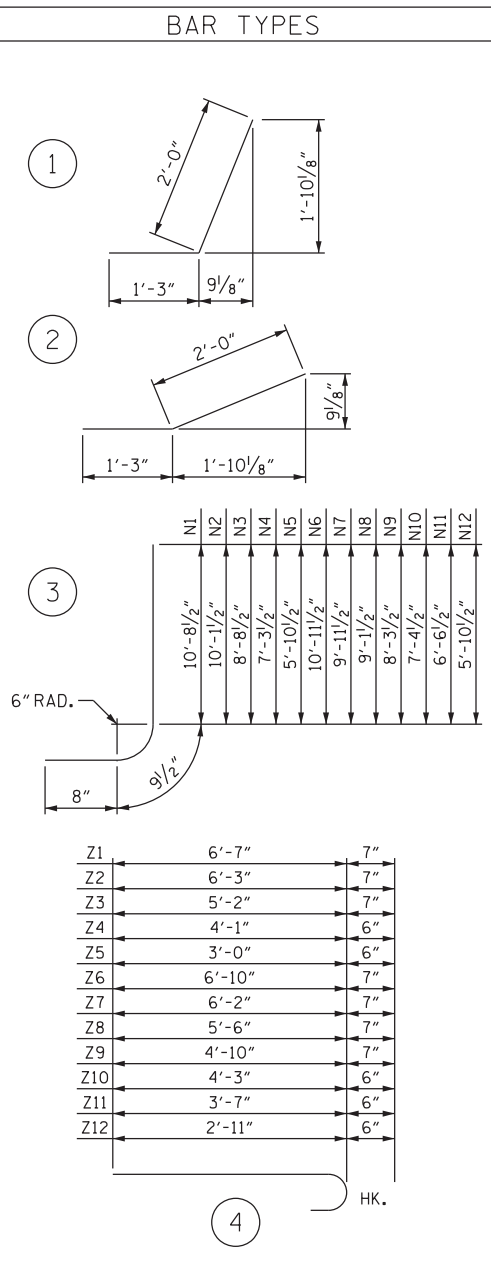
TYPICAL WING SECTION



ELEVATION W1



ELEVATION W2



ALL BAR DIMENSIONS ARE OUT TO OUT.

BILL OF MATERIAL					
BAR NO.	SIZE	TYPE	LENGTH	WEIGHT	
H1	16	#4	STR	9'-7"	102
H2	4	#4	STR	7'-9"	21
H3	4	#4	STR	4'-7"	12
H4	32	#4	1	3'-3"	69
H5	4	#4	STR	10'-7"	28
H6	16	#4	STR	26'-7"	284
H7	4	#4	STR	21'-11"	59
H8	4	#4	STR	14'-0"	37
H9	4	#4	STR	6'-2"	16
H10	32	#4	2	3'-3"	69
H11	4	#4	STR	27'-11"	75
N1	4	#6	3	12'-2"	73
N2	4	#6	3	11'-7"	70
N3	8	#6	3	10'-2"	122
N4	8	#5	3	8'-9"	73
N5	8	#4	3	7'-4"	39
N6	4	#6	3	12'-5"	75
N7	14	#6	3	11'-5"	240
N8	12	#6	3	10'-7"	191
N9	12	#5	3	9'-9"	122
N10	12	#5	3	8'-10"	111
N11	12	#4	3	8'-0"	64
N12	12	#4	3	7'-4"	59
S1	12	#6	STR	6'-0"	108
T1	6	#5	STR	11'-6"	72
T2	6	#5	STR	28'-6"	178
V1	4	#4	STR	10'-1"	27
V2	4	#4	STR	9'-7"	26
V3	4	#4	STR	8'-2"	22
V4	4	#4	STR	6'-9"	18
V5	4	#4	STR	5'-4"	14
V6	4	#4	STR	10'-5"	28
V7	8	#4	STR	9'-5"	50
V8	6	#4	STR	8'-6"	34
V9	6	#4	STR	7'-8"	31
V10	6	#4	STR	6'-10"	27
V11	6	#4	STR	6'-0"	24
V12	6	#4	STR	5'-3"	21
Z1	4	#5	4	7'-2"	30
Z2	4	#5	4	6'-10"	29
Z3	8	#5	4	5'-9"	48
Z4	8	#4	4	4'-7"	24
Z5	8	#4	4	3'-6"	19
Z6	4	#5	4	7'-5"	31
Z7	14	#5	4	6'-9"	99
Z8	12	#5	4	6'-1"	76
Z9	12	#5	4	5'-5"	68
Z10	12	#4	4	4'-9"	38
Z11	12	#4	4	4'-1"	33
Z12	12	#4	4	3'-5"	27

REINFORCING STEEL FOR 4 WINGS	3213 LBS
CLASS A CONCRETE 4 WINGS	42.7 CY
2 HEADWALLS	CY
2 END CURTAIN WALLS	CY
TOTAL	CY

PROJECT NO. _____ COUNTY _____
 STATION: _____ SHEET _____ OF _____

STATE OF NORTH CAROLINA
 DEPARTMENT OF TRANSPORTATION
 RALEIGH
 STANDARD WINGS FOR SINGLE BARREL CONCRETE BOX CULVERT
 H = 10'-0" SLOPE = 2:1
 135° SKEW

ASSEMBLED BY : -	DATE : -
CHECKED BY : -	DATE : -
DRAWN BY : CCJ 01/00	REV. 6/19 MAA/THC
CHECKED BY : RWW 03/00	

REVISIONS						SHEET NO.
NO.	BY:	DATE:	NO.	BY:	DATE:	TOTAL SHEETS
1			3			
2			4			